

VIQUA Arros™ 9, Arros 15, and Arros 22

Ultraviolet Water Treatment Systems from VIQUA

Designed by you. Engineered by VIQUA.

The quality of water changes over time and can become contaminated with microorganisms. VIQUA Arros™ is the premium residential UV system from VIQUA. Available in 9, 15, and 22 gpm, Arros systems are designed for a streamlined installation, giving you time for more.

Reduced installation complexity

Innovative chamber design, mounted controller, and high-output UV lamp technology form a compact unit for a clean installation.

1. The Tidal™ chamber aligns the inlet and outlet ports on a single plane, saving time and material.
2. PolyProtect™ shield blocks UV light so the Arros UV can plumb directly to PEX and other polymer materials.
3. System mounting is simplified with an elongated steel bracket.

Minimized maintenance hassle

4. The all-in-one design of the VIQUA Arros lamp unit is easier to handle.
5. Threaded plug enables quick, clean draining.
6. Easy-to-navigate LCD touchscreen identifies replacement parts and dealer contact information.

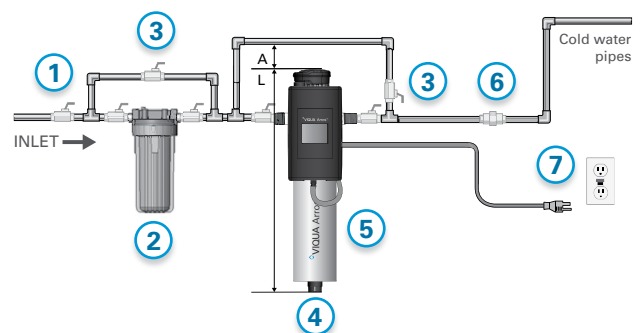
Optimized treatment performance

Stream™ technology enables more accurate in-lamp usage measurement.



Streamlined installation saves time and material

- | | |
|-----------------------------------|--|
| 1. Main water shut-off | 5. UV system |
| 2. Filter cartridge (recommended) | 6. Optional flow restrictor |
| 3. Optional by-pass assembly | 7. Customer-supplied GFCI circuit to match voltage |
| 4. Drain plug | |



Notes: By-pass pipe should be at least 6 inches above UV unit and as close to the wall as possible to ensure lamp unit can be removed.

UV system should be the final piece of treatment equipment.

Specifications

The VIQUA Arros has been validated through microbial testing. Through this testing, performance data has been generated for UV dose delivery to inactivate *cryptosporidium*, *giardia*, *Escherichia coli* (*E. coli*), and *fecal coliform*.



	Arros 9	Arros 15	Arros 22
Flow rates* (@ 95% UVT)			
U.S. Public Health 16 mJ/cm ²	17 gpm (64.3 lpm); 3.86 m ³ /hr	29 gpm (109.8 lpm); 6.59 m ³ /hr	42 gpm (159 lpm); 9.54 m ³ /hr
VIQUA Standard 30 mJ/cm ²	9 gpm (34.1 lpm); 2.0 m ³ /hr	15 gpm (56.8 lpm); 3.41 m ³ /hr	22 gpm (83.3 lpm); 5.0 m ³ /hr
NSF/EPA 40 mJ/cm ²	7 gpm (26.5 lpm); 1.59 m ³ /hr	12 gpm (45.4 lpm); 2.73 m ³ /hr	16 gpm (60.6 lpm); 3.63 m ³ /hr
Dimensions			
Chamber	11.2 in. x 4.0 in. (28.4 cm x 10.16 cm)	16.5 in. x 4.0 in. (42.0 cm x 10.16 cm)	22.5 in. x 4.0 in. (57.2 cm x 10.16 cm)
Controller	10.5 in. x 5.0 in. x 6.5 in. (26.67 cm x 12.7 cm x 16.51 cm)		
Inlet and outlet port size	Combo: 1 in. MNPT, 3/4 in. FNPT		
Shipping weight	12 lbs (5.44 kg)	15 lbs (6.8 kg)	18 lbs (8.16 kg)
Splash guard (optional)	11.85 in. x 5.59 in. x 7.28 in. (30.1 cm x 14.2 in. x 18.5 cm)		
Electrical			
Voltage	100–240V (50/60 Hz)		
Max current	1.5 A		
Power consumption	33W	46W	60W
Lamp watts	25W	38W	52W
Maximum operating pressure	125 psi (8.62 bar)		
Ambient water temperature	2-40°C (36-104°F)		
Features			
Lamp type	High output	High output	High output
Display	LCD touchscreen	LCD touchscreen	LCD touchscreen
Lamp unit replacement reminder	Y	Y	Y
Visual lamp life	Y	Y	Y
True lamp running time	Y	Y	Y
System total running time	Y	Y	Y
Chamber material	304 stainless steel	304 stainless steel	304 stainless steel

* Flow rates based on end of lamp life.

System accessory

Arros Splash Guard is designed and tested to shield the UV system from environmental exposure, ensuring long-term reliability and peak performance. This newly released protective cover acts as a barrier against water and other liquids, safeguarding the system's sensitive components in real-world conditions. Installing the splash guard enhances durability, maintains system integrity, and minimizes the risk of operational disruptions.

KEY FEATURES

- **Enhanced protection** – Helps reduce exposure to everyday environmental elements, supporting uninterrupted performance
- **Effortless installation** – No tools required – simply place the cover over the controller
- **Precision fit** – Designed specifically for all VIQUA Arros models, ensuring seamless compatibility

DIMENSIONS

11.9 in. x 5.6 in. x 7.3 in. (30.1 cm x 14.2 cm x 18.5 cm)



Replacement parts†

VA09LU: UV lamp for Arros 9	411111-R: drain plug for all Arros systems
VA15LU: UV lamp for Arros 15	411173-R: lamp head O-ring for all Arros systems
VA22LU: UV lamp for Arros 22	411138-R: drain plug O-ring for all Arros systems
VA-CTRL: controller for all Arros systems	411203-R: Splash guard for any Arros model

Water quality parameters

Hardness	Iron	Tannins
< 7 grains (120 mg/L)	< 0.3 mg/L	< 0.1 mg/L

† Only VIQUA components ensure full functioning of the Arros™ UV system. Failure to use a VIQUA lamp will result in an ongoing fault mode and impair accurate lamp-life tracking. For a complete list of replacement parts, reference the system's instruction manual or visit VIQUA.com.

To learn more about the VIQUA Arros family and the efficacy of its UV treatment systems, visit VIQUA.com